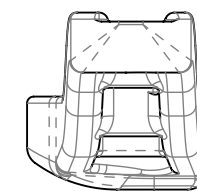
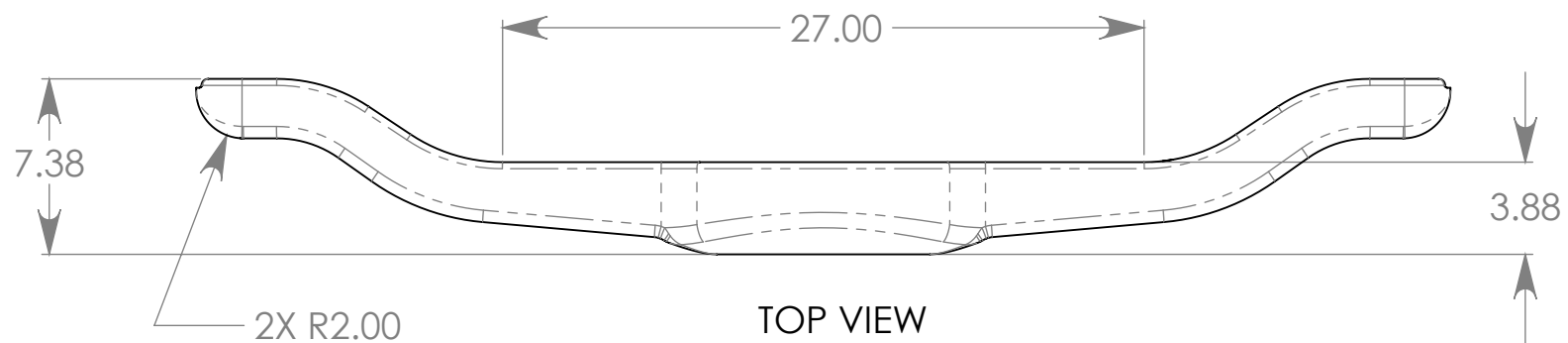
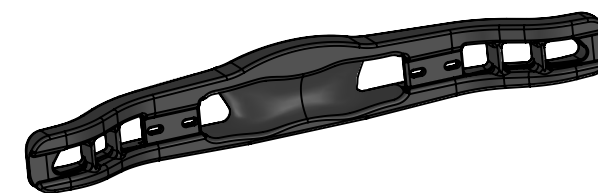
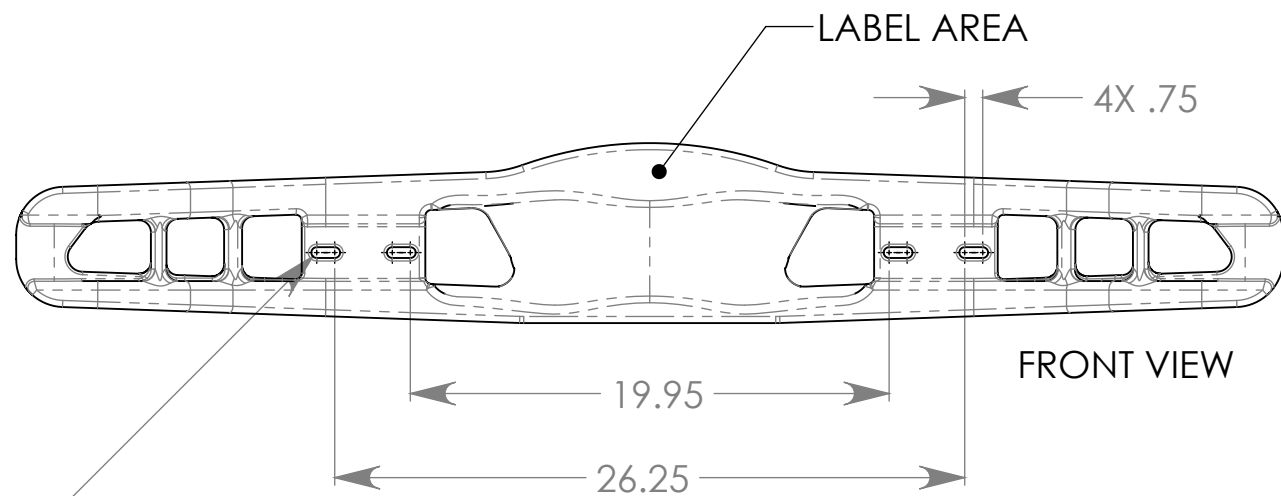
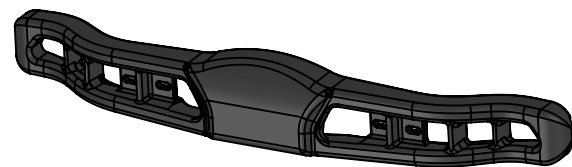
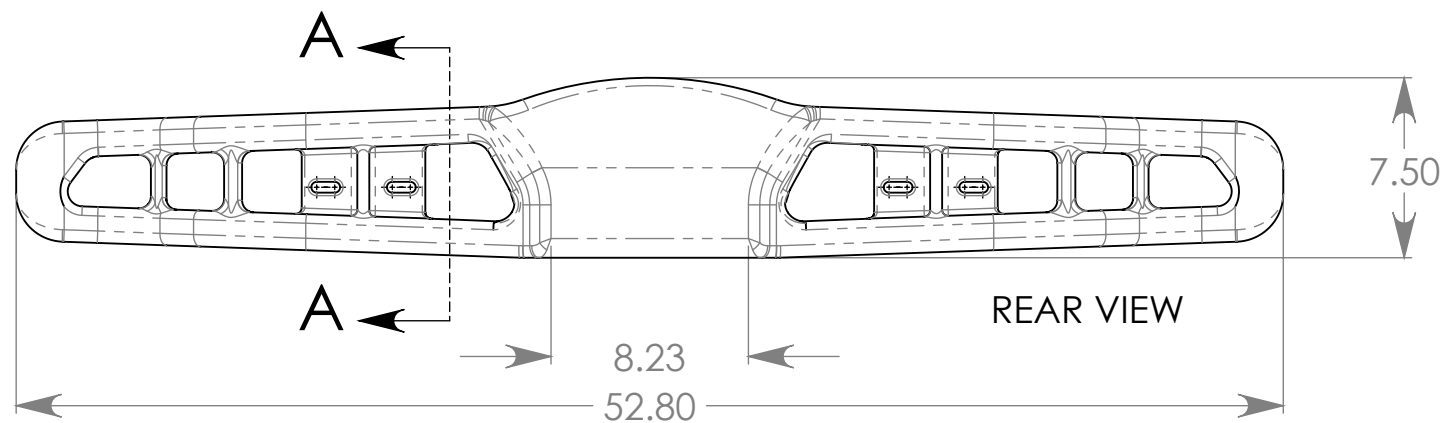
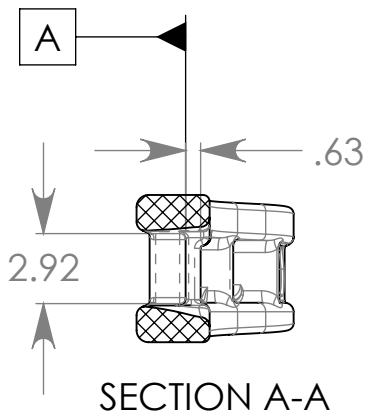


THE INFORMATION CONTAINED IN THIS DRAWING IS THE SOLE PROPERTY OF SCRIBNER PLASTICS. ANY REPRODUCTION IN PART OR WHOLE WITHOUT THE WRITTEN PERMISSION OF SCRIBNER PLASTICS IS PROHIBITED.

REVISIONS			
REV.	DESCRIPTION	DATE	APPROVED



MOUNTING SURFACE



Ø .45 4X MOUNTING SLOTS

ITEM NO.	PART OR IDENTIFYING NO.	NOMENCLATURE OR DESCRIPTION	MATERIAL SPECIFICATION	QTY REQD
PARTS LIST				
UNLESS OTHERWISE SPECIFIED DIMENSIONS ARE IN INCHES TOLERANCES ARE:		CAD GENERATED DRAWING, DO NOT MANUALLY UPDATE		
2 DECIMAL PLACES = ±.030		APPROVALS	DATE	
3 DECIMAL PLACES = ±.005		DRAWN	CLOUSER 110412	
4 DECIMAL PLACES = ±.002		CHECKED		
ANGLES = ±1°		RESP ENG		
MATERIAL	POLYETHYLENE	MFG ENG		
FINISH	--	QUAL ENG		
DO NOT SCALE DRAWING		SCALE	DWG. NO. 6050	REV. A
		CAD FILE:	SHEET 1 OF 1	



www.scribnerplastics.com

BODYLINE BUMPER, REAR