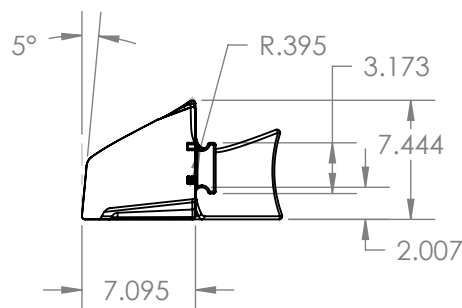
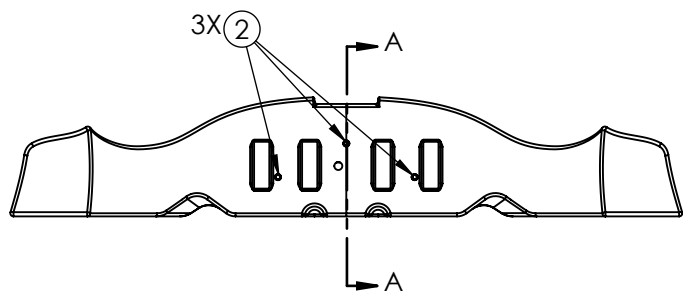
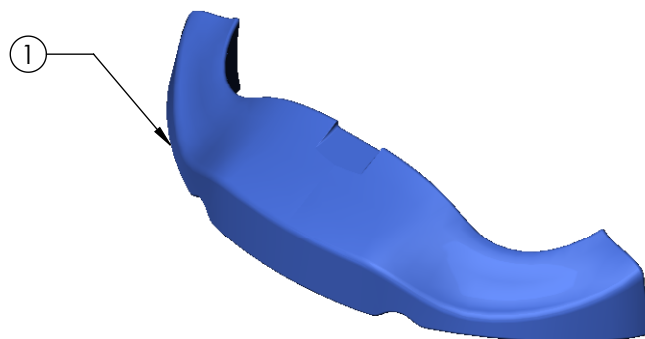
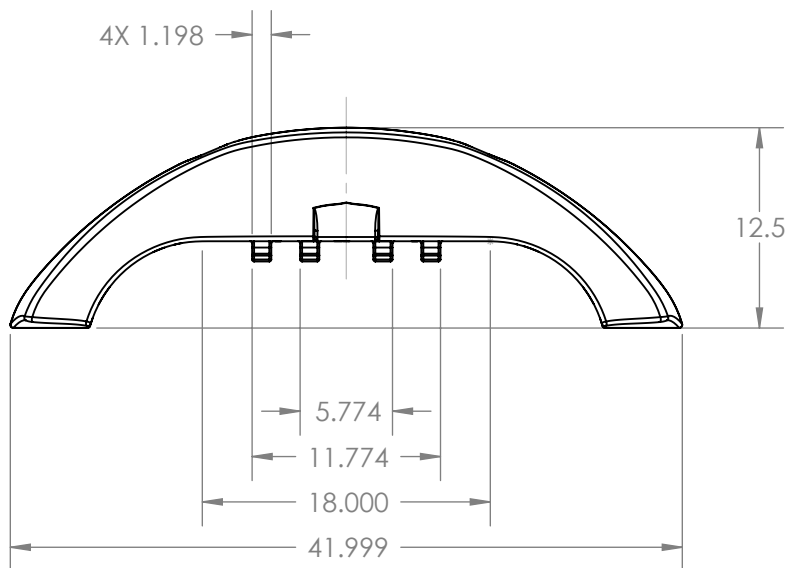


REV	FAB CAD DATA	NATIVE DRAWING FILE	NATIVE CAD FILE	REVISIONS		
				DESCRIPTION	DATE	APPROVED
A	6010-A.PDF	6010-A.slddrw	6010-A.sldprt	Production Release	03/07/08	RS
B	6010-B.PDF	6010-B.slddrw	6010-B.sldprt	Changed shape of front flat.	04/22/08	RS
C	6010-C.PDF	6010-C.slddrw	6010-C.sldasm	Revision C Release.	08/14/09	RS



ITEM NO.	PART NUMBER	DESCRIPTION	QTY.
1	6010-C		1
2	M8 Threaded Insert	M8 Threaded Insert	3



11455 Hydraulic Drive Rancho Cordova, CA. 95742-6870 Tel: 800-552-5847 Fax: 916-638-2278 www.scribnerplastics.com	TITLE: BodyLine Nose	
	PART NUMBER: 6010	
UNLESS OTHERWISE SPECIFIED: DIMENSIONS ARE IN INCHES DO NOT SCALE DRAWING	SIZE: A	SCALE: 1:12

5

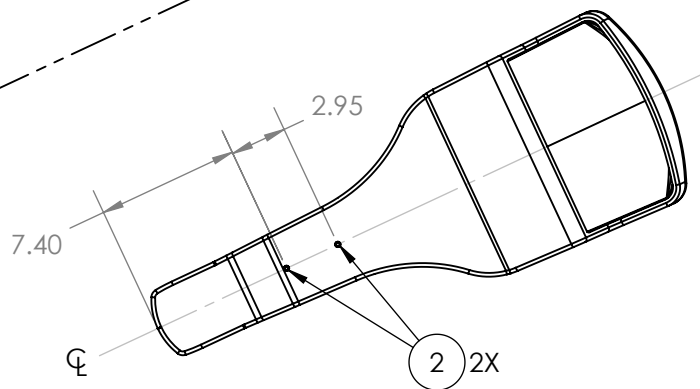
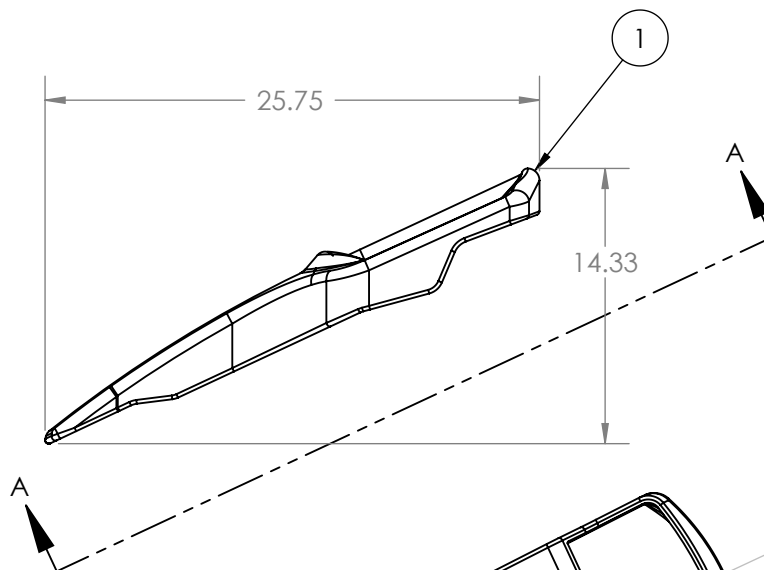
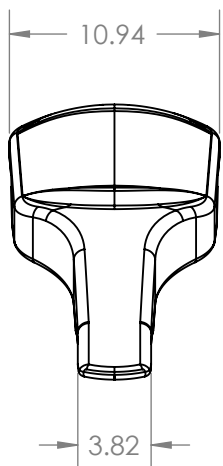
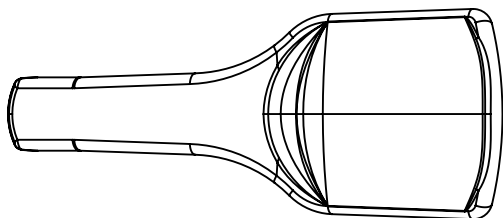
4

3

2

1

REV	FAB CAD DATA	NATIVE DRAWING FILE	NATIVE CAD FILE	REVISIONS		
				DESCRIPTION	DATE	APPROVED
A	6020-A.PDF	6020-A.slddrw	6020-A.sldprt	Production Release	03/07/08	RS
B	6020-B.PDF	6020-B.slddrw	6020-B.sldasm	Revision B Release.	08/14/09	RS



VIEW A-A

ITEM NO.	PART NUMBER	DESCRIPTION	QTY.
1	6020-B		1
2	M6 Threaded Insert	M6 Threaded Insert	2



11455 Hydraulic Drive
 Rancho Cordova, CA.
 95742-6870
 Tel: 800-552-5847
 Fax: 916-638-2278
 www.scribnerplastics.com

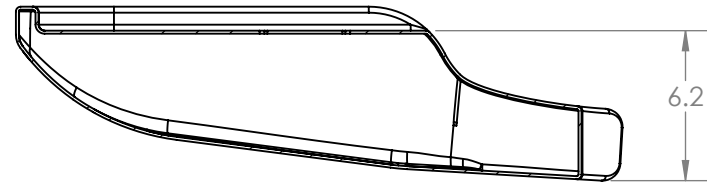
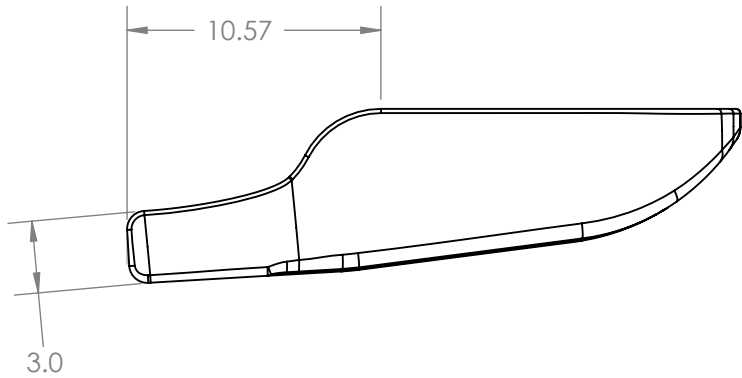
TITLE: BodyLine
 Fairing

PART NUMBER: 6020

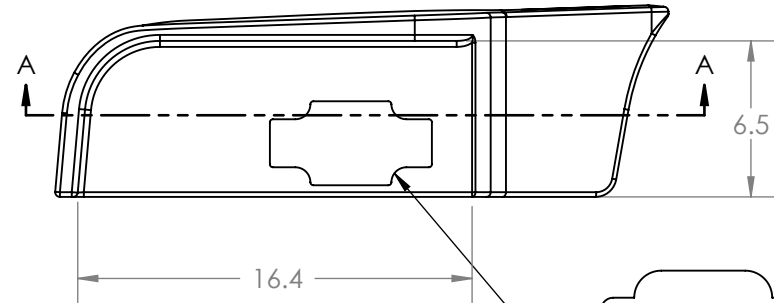
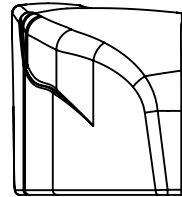
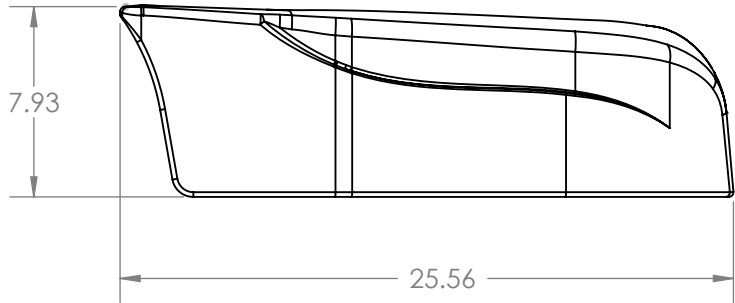
UNLESS OTHERWISE SPECIFIED:
 DIMENSIONS ARE IN INCHES
 DO NOT SCALE DRAWING

SIZE: **A** SCALE: 1:10

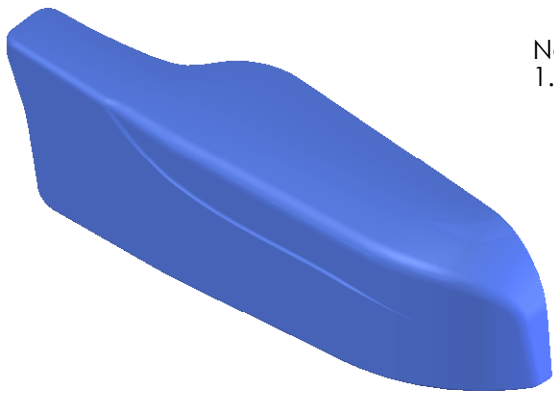
REV	FAB CAD DATA	NATIVE DRAWING FILE	NATIVE CAD FILE	REVISIONS		
				DESCRIPTION	DATE	APPROVED
A	6030R-A.PDF	6030R-A.slddrw	6030R-A.sldprt	Production Release	03/07/08	RS
B	6030R-B.PDF	6030R-B.slddrw	6030R-B.sldprt	Revision B Release.	08/14/09	RS



SECTION A-A



Side Pod Plug is installed in cutout



Note:
1. 6030L is the mirror of 6030R.



11455 Hydraulic Drive Rancho Cordova, CA. 95742-6870 Tel: 800-552-5847 Fax: 916-638-2278 www.scribnerplastics.com	TITLE: BodyLine Side Pod	
	PART NUMBER: 6030R	
UNLESS OTHERWISE SPECIFIED: DIMENSIONS ARE IN INCHES DO NOT SCALE DRAWING	SIZE: A	SCALE: 1:8